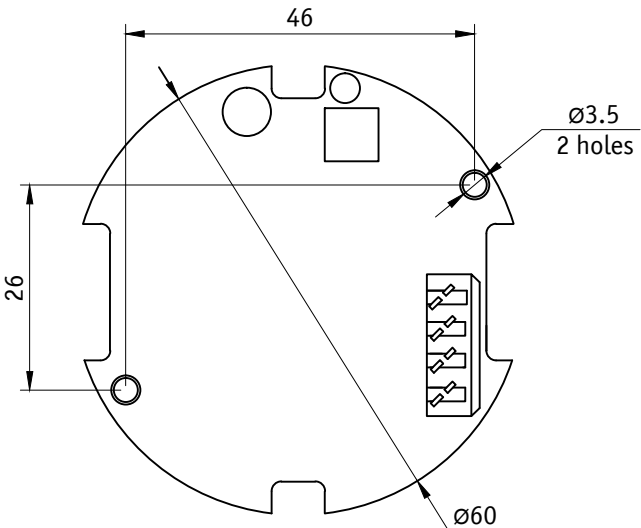
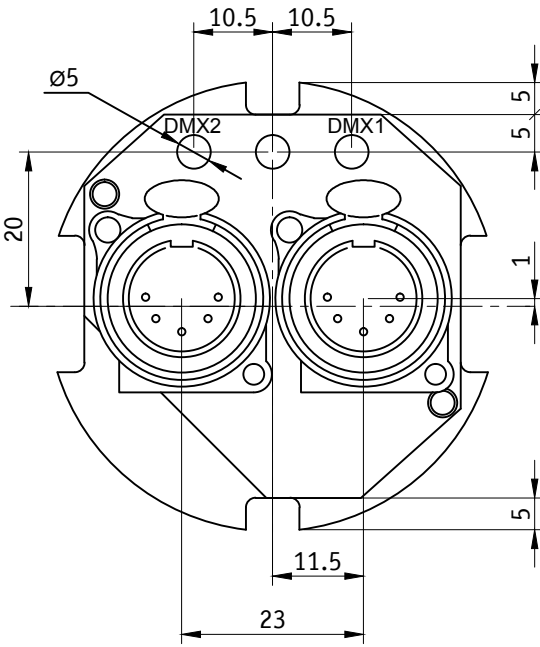


# Mounting dimensions

bottom view



top view



XLR socket

